

# Hanging Fireplace Installation Manual

## B Series Installation Instruction

B-70

B-80

# Hanging Fireplace Installation Manual

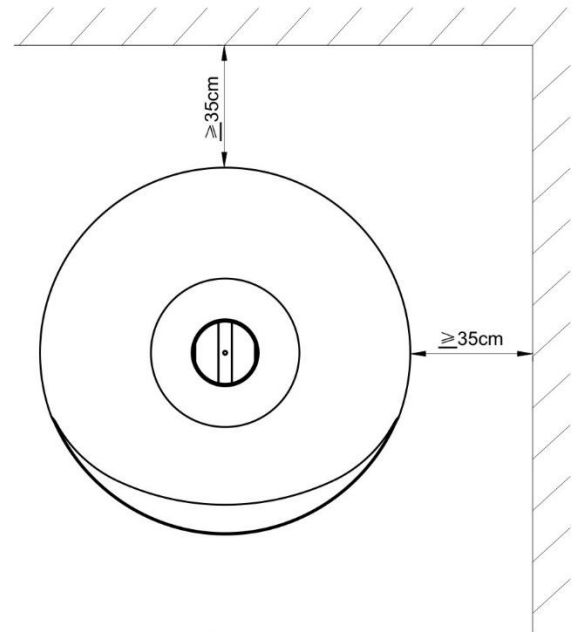
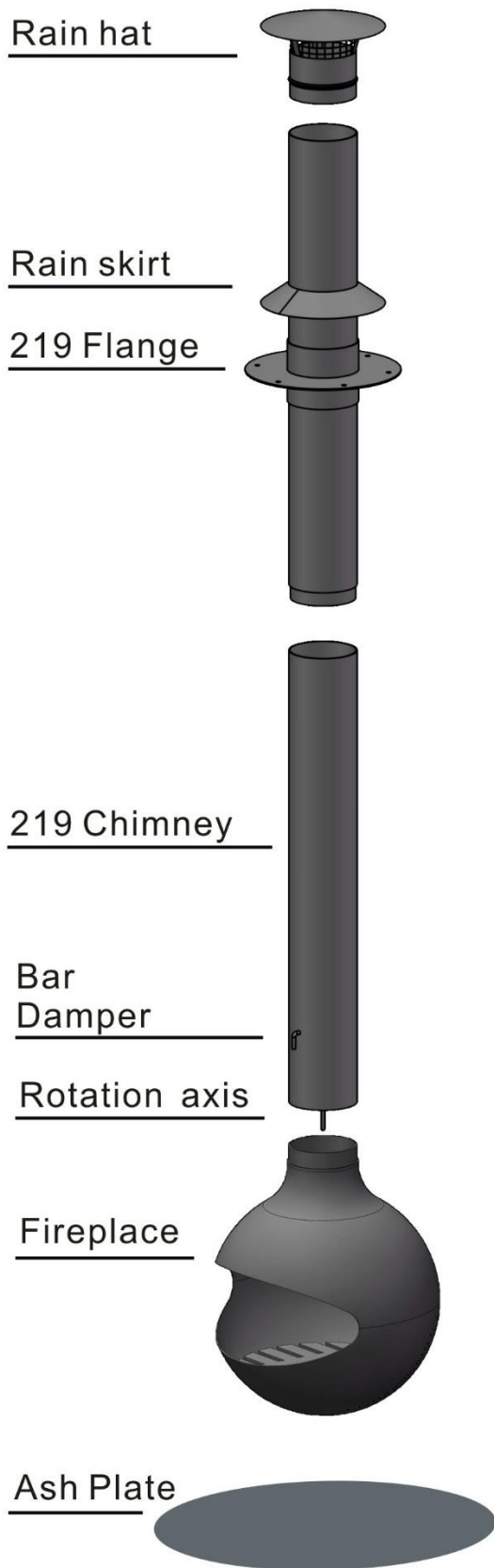


Figure 1

① To confirm fireplace installation position, non-flammable and explosive around the fireplace, or deterioration of thermal deformation of an object (such as wood, plastic, cloth, paper, wire, pvc, gas pipes, household appliances, etc.)

The safety distance of the fireplace body to the wall is not less than 35cm, as shown in Figure 1. Less than 35cm, it needs to be protected by heat insulation materials (such as refractory bricks, marble, ceramic tiles, culture stone, glass, metal plates, etc.).

The distance from bottom of the fireplace to the ground is 35-50cm. Please adjust the specific length according to the actual situation on site. The vertical height of the chimney not be less than 4m.

The installation position can be hold double weight of the fireplace. Ash plate should be placed under the fireplace, as shown in the illustration.

# Hanging Fireplace Installation Manual

② Confirmed the installation position, Drill 24-28cm diameter holes in the roof to install flanges, the flange is fixed with M12 expansion screw (the screw length is not less than 10cm). According to the actual situation, it can be fixed on the upper or lower part of the roof. As shown in Figures 2 and 3.

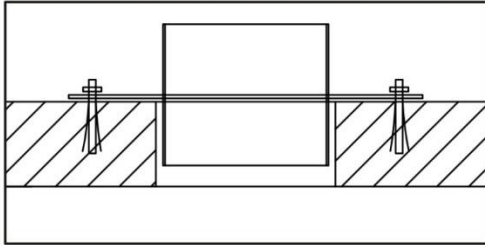


Figure 2

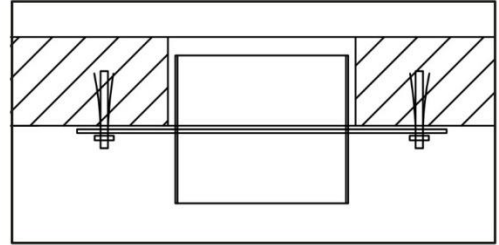


Figure 3

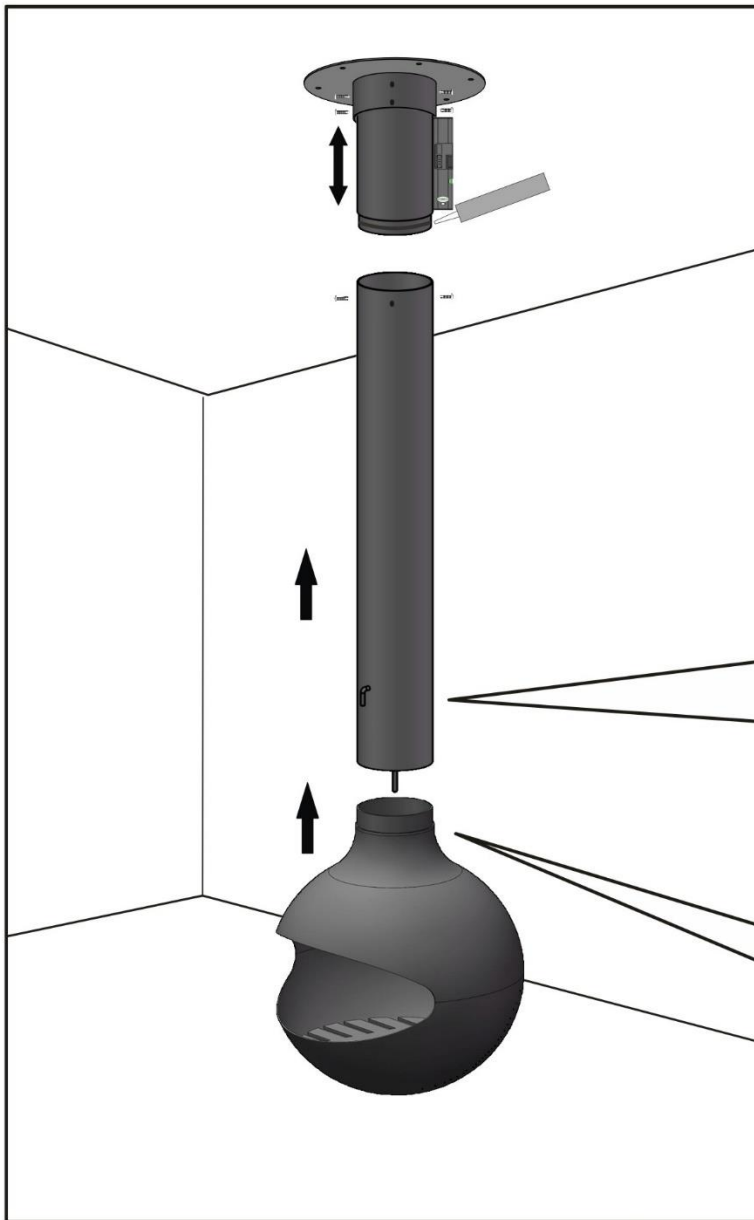


Figure 4

③ Adjust the chimney to the required length, vertical placement chimney, screw down the chimney and flange as shown in figure 4.

④ Connect rotation axis&damper to the bar, shown in figure 5, and adjust the angle of the damper, tighten with screws.

⑤ Put the high temperature resistant sealant around the small joint of the chimney. Screw down chimney and fix fireplace with screws, as shown in figure 5. Adjust the fireplace body position and confirm can be rotate forward and backward.



Figure 5

# Hanging Fireplace Installation Manual

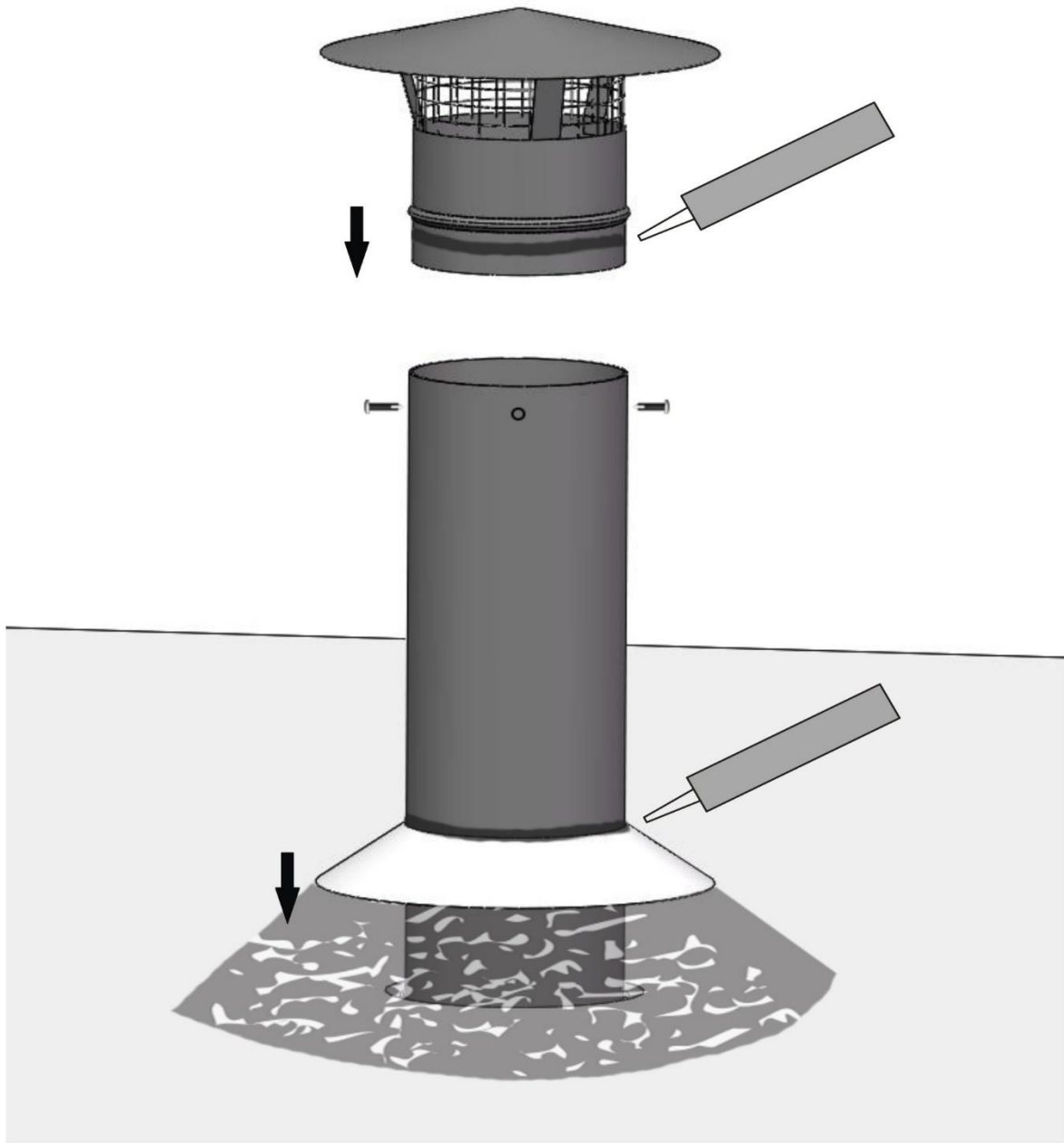


Figure 6

⑥ Make sure the chimney is straight and screwed down. Connect rain hat and chimney put high temperature resistant sealant. Chimney and rain skirt and flange and roofing joints are sealed with cement. See figure 6. Ensure the seal does not leak and the installation is completed. Check the above installation steps to ensure that the screws and components are securely fastened.

⑦ If there is something wrong, please adjust it. If you are not sure, please consult a professional installation technician.

# Hanging Fireplace Installation Manual

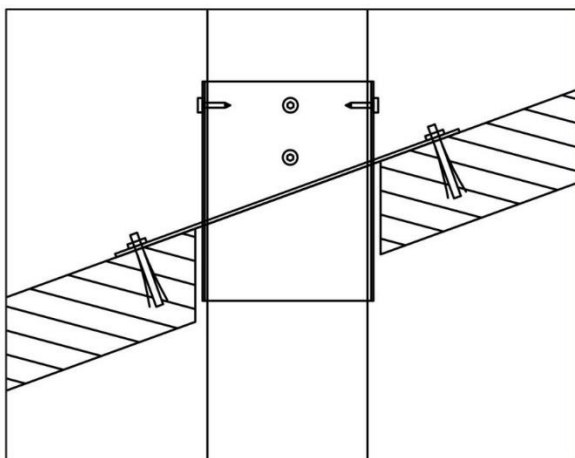


Figure 7

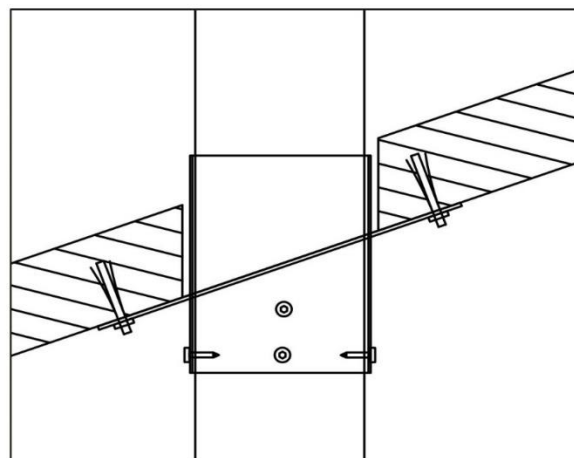


Figure 8

⑧Please refer to figure 7 & 8 for installation mode of inclined roof.

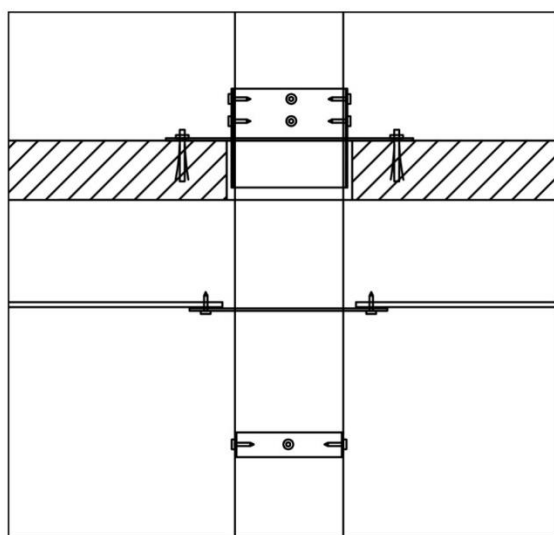


Figure 9

⑨As shown in Figure 9, install the ceiling. After ①②③, install the ceiling decoration ring (hole diameter 28cm), and then finished ④⑤⑥.

# Hanging Fireplace Installation Manual

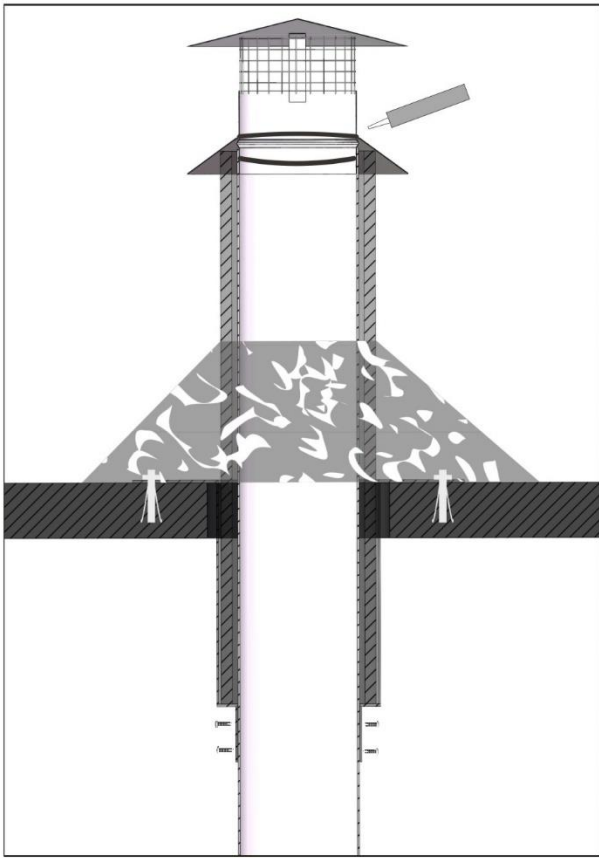


Figure 10

⑩ For the wooden roof, as figure 10. Double stack insulation ensures safer use. Flanges and chimneys are installed in the same way as above. Double insulated smoke pipes are inserted inside the flange. After installing the rain skirt and rain cap, cement the chimney and roof. Make it waterproof.

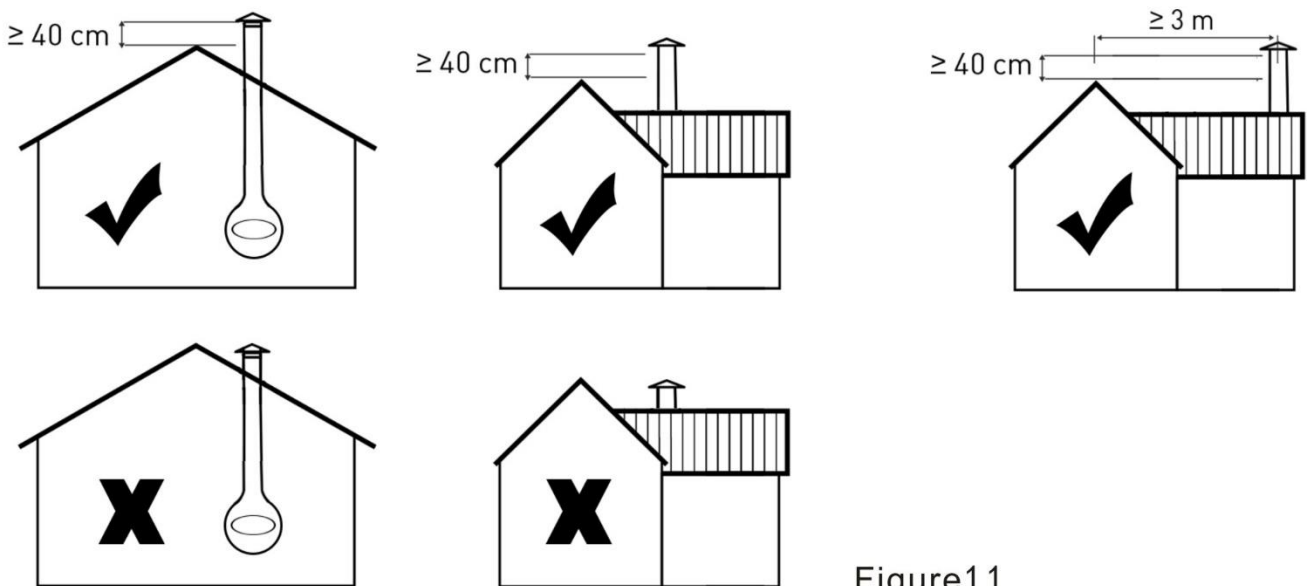


Figure 11

⑪ Schematic diagram of fireplace installation location from roof.